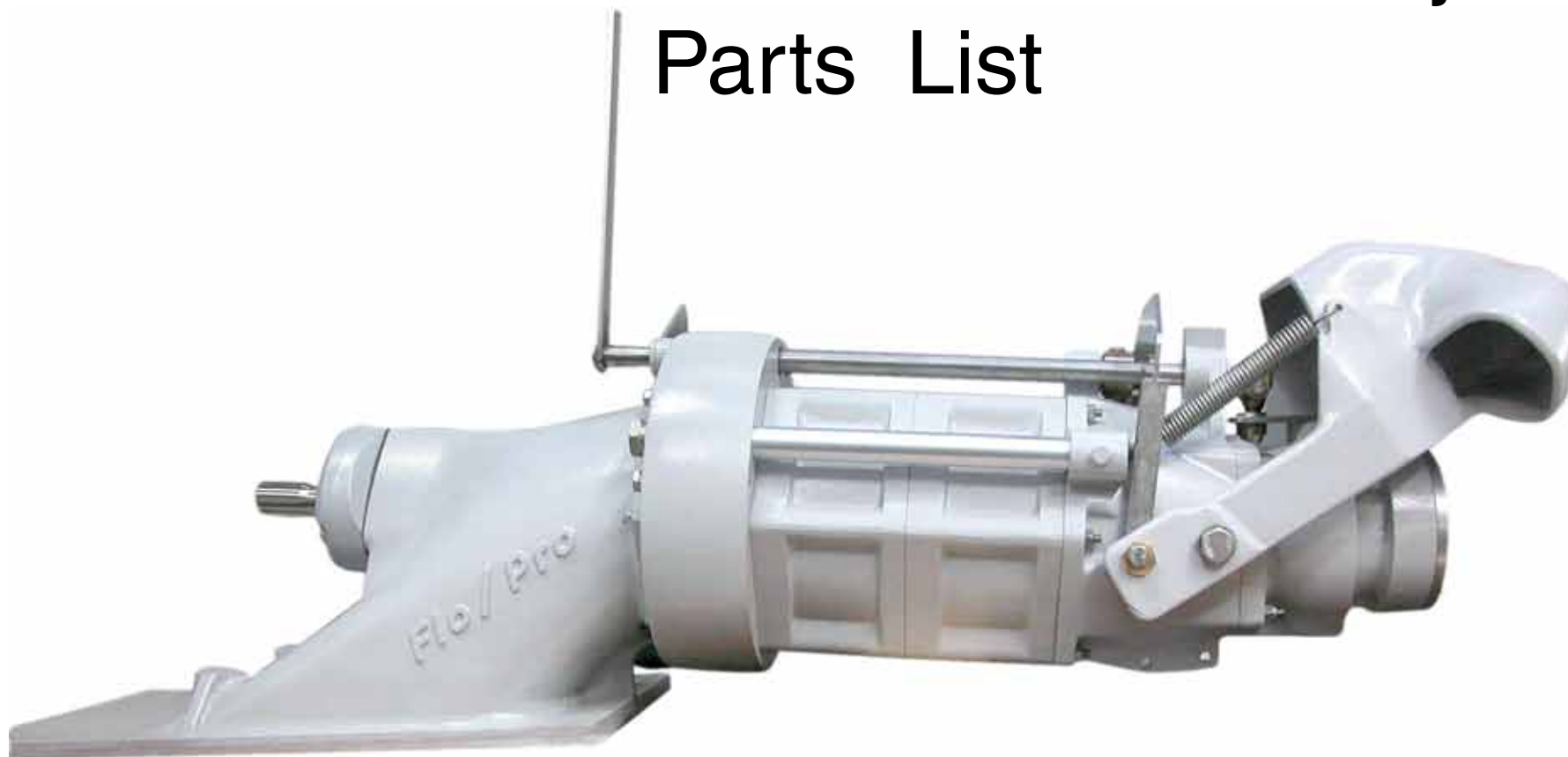


Flo Pro Fresh Water Series Waterjets

Parts List



WARNING NOTICE
OPERATOR MUST READ AND FAMILIARISE THEMSELVES
WITH OWNERS MANUAL PRIOR TO OPERATING:

ALL INSTRUCTIONS MUST BE COMPLIED
WITH OTHERWISE WARRANTY & LIABILITY
WILL BE NULL AND VOID



Flo Pro Marine Ltd
PO Box 1226
Christchurch, 8140
New Zealand
Telephone: +64 274 321770
Email: info@flopromarine.com
www.flopromarine.com
January 2012

Flo Pro 195 Fresh Water Series Waterjets

Models: 195-2, 195-3

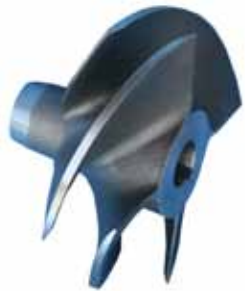




Flo Pro Fresh Water Series Waterjets are well engineered high quality jet units. Flo Pro products will interchange with 770 series Hamilton and Kodiak pumps.

Features:

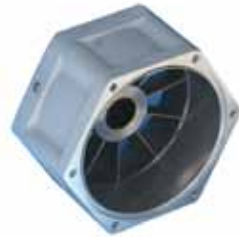
- Bissalloy intake grill
- Stronger intake housing
- No inspection hatch (better flow)
- Removeable intake impellor housing
- No exposed stator studs (stronger housing)
- Stainless stator vain indserts (removeable)
- Stainless impellers (2205)
- Posi/nozzles two sizes with removeable inserts
- Split duct style reverse bucket
- Oil bath front bearing housing



Stainless impellers (2205)



Removeable intake impellor housing



Stator



Stainless stator vain indserts (removeable)



Bissalloy intake grill



Posi/nozzles two sizes with removeable inserts



Split duct style reverse bucket



Flo Pro Two Stage unit



Flo Pro three Stage unit



Oil bath front bearing housing on splined shaft



Flo Pro Marine Freshwater Waterjets
Three Stage (195/3)

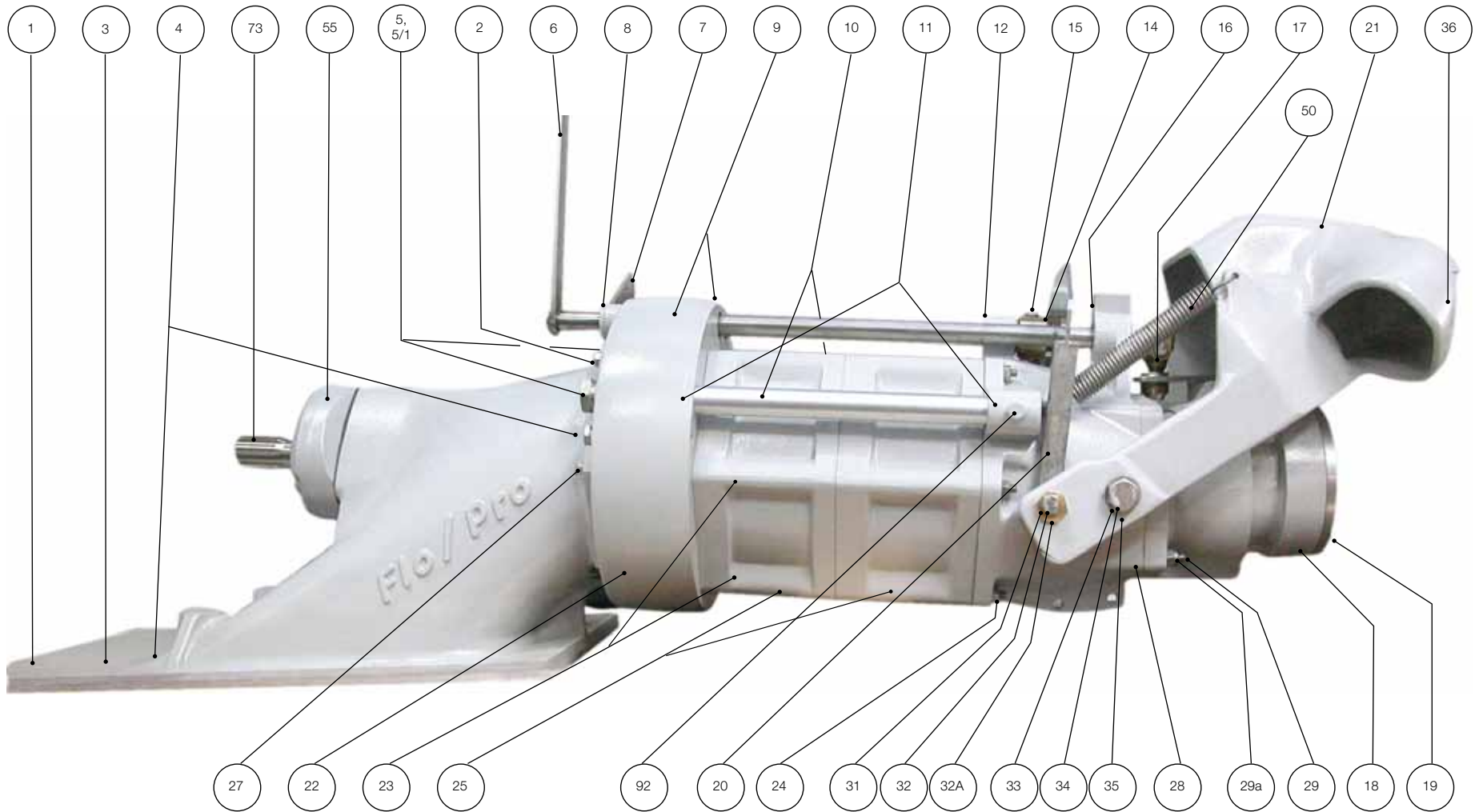


Flo Pro Marine Freshwater Waterjets
Two Stage (195/2)

PARTS LIST

Item	Description	Part #	Qty	
			2 stage	3stage
87	Three stage unit (complete)	1087		1
86	Two stage unit (complete)	1086	1	
90	Packaging pallet (certified)	1090	1	1
91	jet unit cardboard container for transport	1091	1	1

Flo/Pro Marine Freshwater Jet Parts List



4/3



27 22 23 25



92 20 24 31 32 32A 33 34 35 28 29a 29 18 19

- 4/1 Hose
- 4/3 Hose Tail
- 4/2 Hose Clips
- MC Slot Screw 85
- Nut 82
- Flat Washer 83
- Fibre Washer 84
- Intake Base Assembly – x14 sets

PARTS PRICE LIST

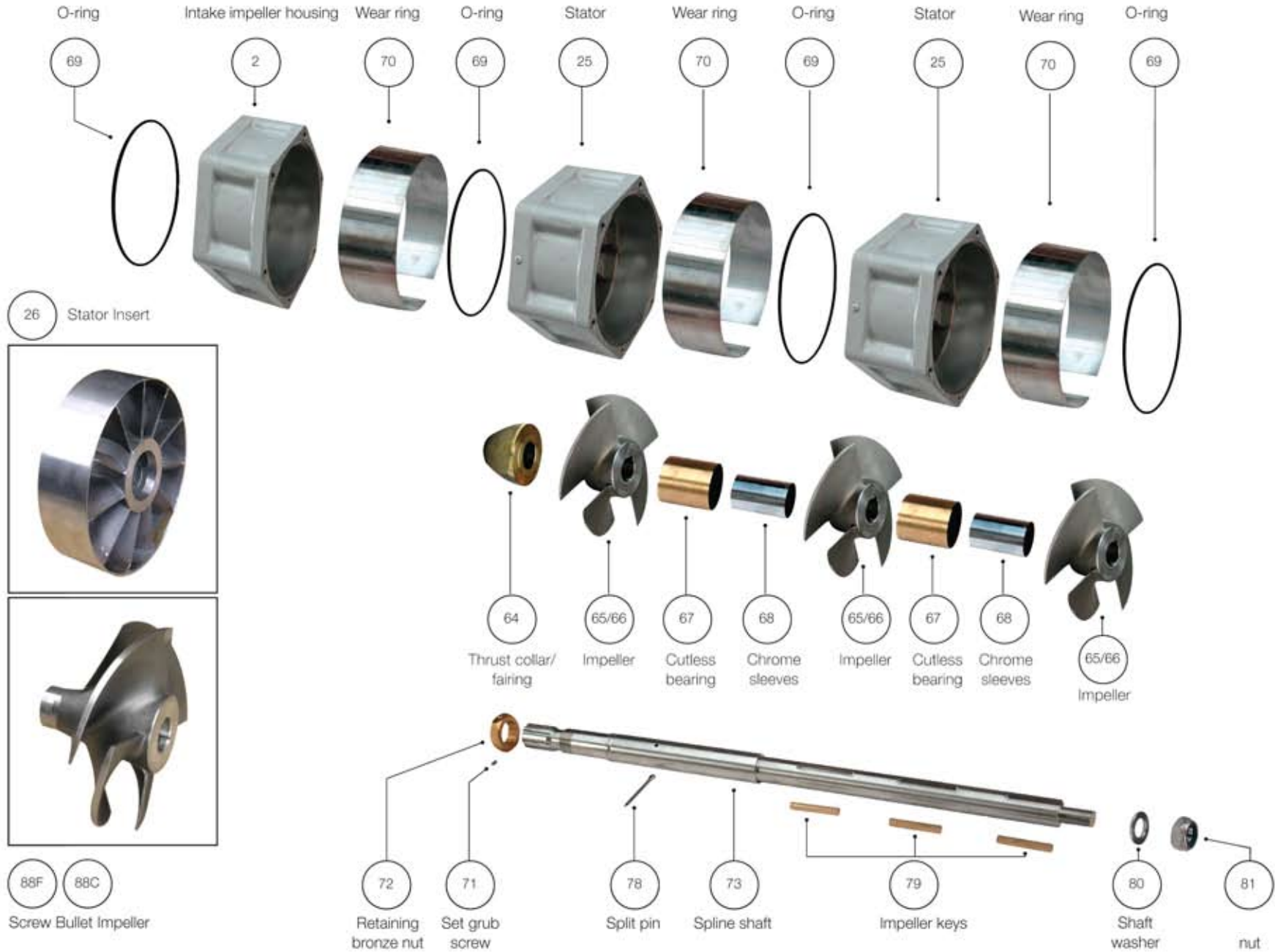
Flo Pro Marine Freshwater Waterjets

Two Stage (195/2) Three Stage (195/3)

Item	Description	Part #	Qty	Qty	unit
			2 stage	3stage	
1	Intake Housing (complete)	1001	1	1	
2	Intake Impeller Housing	1002	1	2	
3	Serial No & Label	1003	1	1	
4	Air Bleed	1004			
4/1	Air Bleed Hose 3/8	1004/1	1	1	
4/2	Air Bleed Hose Clips	1004/2	2	2	each
4/3	Air Bleed Hose Tails 3/8 BSP	1004/3	2	2	each
5	Water Take-off Hose Tail 3/4 x 3/4 BSP (316)	1005	1	1	
5/1	Water Take-off Hex Plug 3/4 BSP (316)	1005/1	1	1	
6	Steering Shaft	1006/2	1		
6	Steering Shaft	1006/3		1	
7	Reverse Shaft	1007/2	1		
7	Reverse Shaft	1007/3	1		
8	Steering Shaft Bush 11/2 x 3/4	1008	1	1	
8	Reverse Shaft Bush 11/2 x 3/4	1008	1	1	
9	Steering Shaft O-Ring	1009	1	1	
9	Reverse Shaft O-Ring	1009	1	1	
10	Water Delivery Tubes	1010/2	2		each
10	Water Delivery Tubes	1010/3	2		
11	Water Delivery Tube O-Rings	1011	4	4	each
12	Tailpipe Reverse Bush 11/2 x 3/4	1012	1	1	
14	Reverse Crank	1014	1	1	
15	Cotter Pin Assembly (reverse crank)	1015	1	1	each
15A	Cotter Pin Assembly (steering crank drilled)	1015/A	1	1	each
16	Tailpipe Steering Bush 11/2 x 3/4	1016	1	1	
17	Steering Crank	1017	1	1	
18	Steering Nozzle (complete mkl)	1018MKI	1	1	
19	Steering Nozzle Insert mkl	1019MKI	1	1	
18	Steering Nozzle (complete mkII)	1018MKII	1	1	
19	Steering Nozzle Insert mkII	1019MKII	1	1	
20	Reverse Yoke (316)	1020	1	1	
21	Reverse Bucket	1021	1	1	
22	Transom Housing Seal	1022	1	1	

Item	Description	Part #	Qty	Qty	unit
			2 stage	3stage	
23	Studs – Intake / Tailpipe	1023/2	6		each
23	Studs – Intake / Tailpipe	1023/3		6	each
24	Hex Nuts 5/16 UNC (316)	1024	6	6	each
25	Stator	1025/2	1		
25	Stator	1025/3	2		each
26	stator insert	1026	1		
27	Hex Nuts 5/16 UNC (316)	1027	4	4	each
28	Tailpipe	1028/2	1		
28	Tailpipe	1028/3		1	
29	Studs – Tailpipe / Nozzle 3/8 UNC	1029	4	4	each
29A	Nuts (Nyloc) 3/8 UNC (316)	1029A	4	4	each
30	Anode (Accessory)	1030	1	1	
31	Reverse Yoke Eccentric Bush	1031	2	2	each
32	Reverse Yoke Eccentric Hex Set Screw Bolt 3/8 x 1 1/4 UNC (316)	1032	2	2	each
32A	Reverse Yoke Eccentric 3/8 Spring Washer (316)	1032A	2	2	each
33	Reverse Bucket Pivot Sleeve	1033	2	2	each
34	Reverse Bucket Hex Set Screw Bolt 5/8 x 1 3/4 UNC (316)	1034	2	2	each
35	Reverse Bucket Flat Washer 5/8 (316 16g)	1035	4	4	each
36	Flo Pro Label	1036	2	2	each
50	Reverse Bucket Spring	1050	2	2	each
Intake Base Assembly					
82	Hex Nut 5/16 UNC (316)	1082	14	14	each
83	Flat Washer 5/16 (316)	1083	14	14	each
84	Fibre Washer 5/16 x 1/16	1084	14	14	each
85	Counter Sunk Machine Slot Screw 5/16 x 2 1/2 UNC (316)	1085	14	14	each
92	Water Delivery Hex Plug 1/8 BSP	1092	2	2	each

Flo/Pro Marine Freshwater Jet Pumps – Parts List



PARTS PRICE LIST

Flo Pro Marine Freshwater Waterjets Main Shaft, Stator Assemblies & Impellers

Item	Description	Part #	Qty		unit
			2 stage	3stage	
2	Intake Impeller Housing	1002	1	1	
25	Stator (complete)	1025	1	2 each	
64	Thrust Collar Fairing	1064	1	1	
65	Impeller (Fine pitch)	1065	2	3 each	
66	Impeller (Coarse pitch)	1066	2	3 each	
67	Cutless Bearing (2" x 1 1/2" x 6")	1067	2	2 each	
68	Chrome Sleeve (1 1/4" x 1 1/2" x 2")	1068	2	2 each	
69	O-Ring Stator	1069	3	4 each	
70	Wear Ring	1070	2	3 each	
71	Set / Grub Screw	1071	1	1	
72	Retaining Locking Nut (Bronze) 75ftlbs	1072	1	1	
73	Spline Shaft	1073/2	1		
73	Spline Shaft	1073/3		1	
78	Split Pin 3/16 x 2"	1078	1	1	
79	Impeller Keys (Brass) 5/16 x 2 3/8	1079	2	3 each	
80	Shaft Washer (flat)35 x 21 x 4	1080	1	1	
81	Spline Shaft Nut M20 75ftlbs	1081	1	1	
81A	Spline Shaft AB Nut M20 75ftlbs	1081A	1	1	

Accessories

88C	Screw Style Bullet Impeller (Coarse pitch)	1088C	1	1	
88F	Screw Style Bullet Impeller (Fine pitch)	1088F	1	1	
26	Stator Insert (Accessories)	1026	1	2 each	
30	Anode (Accessory)	1030	1	1	
93	Sand Trap Bare	1093			
94	Sand Trap Complete	1094			
95	label warning notice	1095	1	1	



Sand Trap Complete

94

WARNING NOTICE

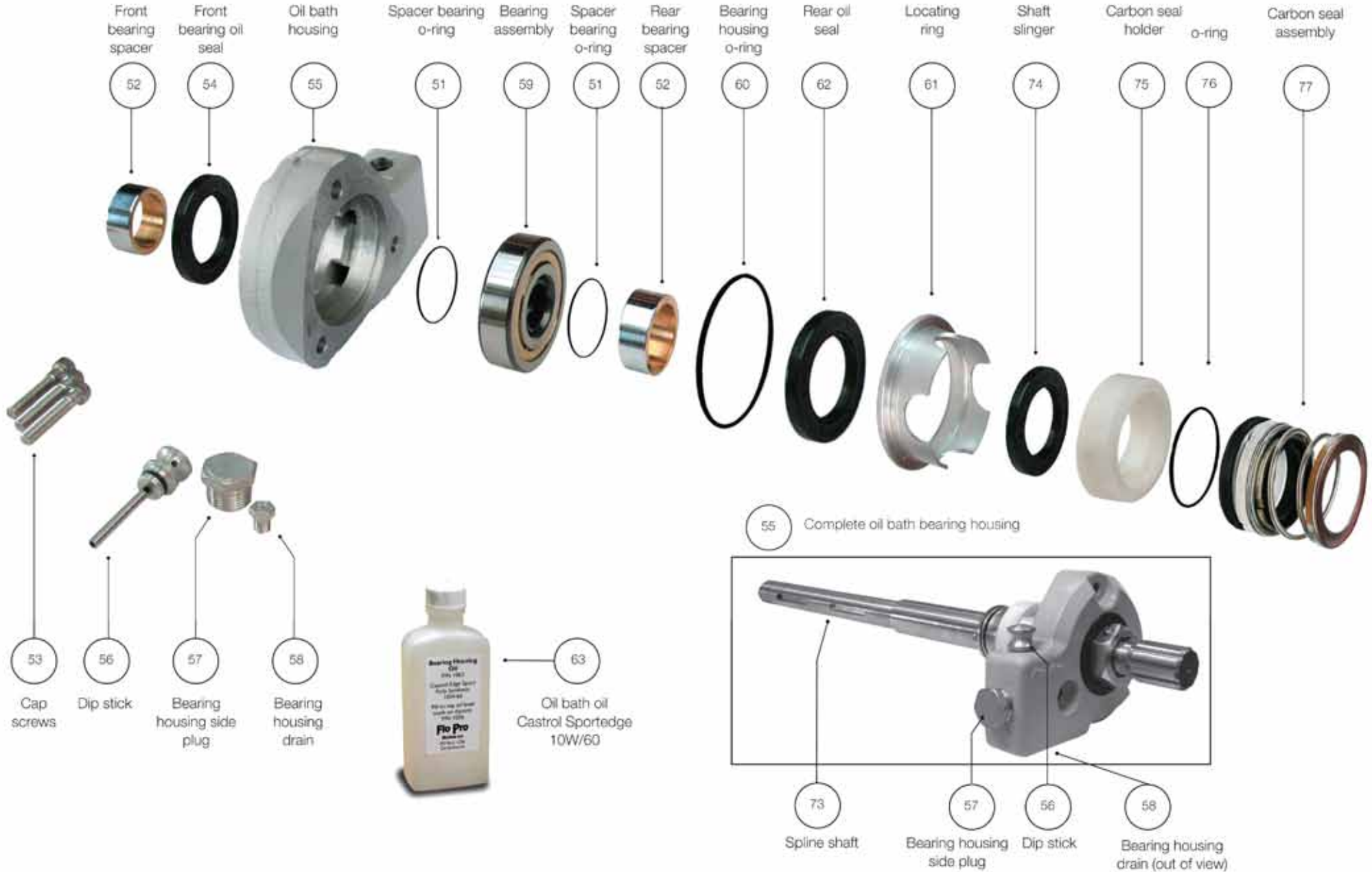
OPERATOR MUST READ AND FAMILIARISE THEMSELVES
WITH OWNERS MANUAL PRIOR TO OPERATING:

ALL INSTRUCTIONS MUST BE COMPLIED
WITH OTHERWISE WARRANTY & LIABILITY
WILL BE NULL AND VOID



95 label warning notice

Flo/Pro Marine Freshwater Jet Pumps – Oil Bath Bearing Housing Assembly Parts List

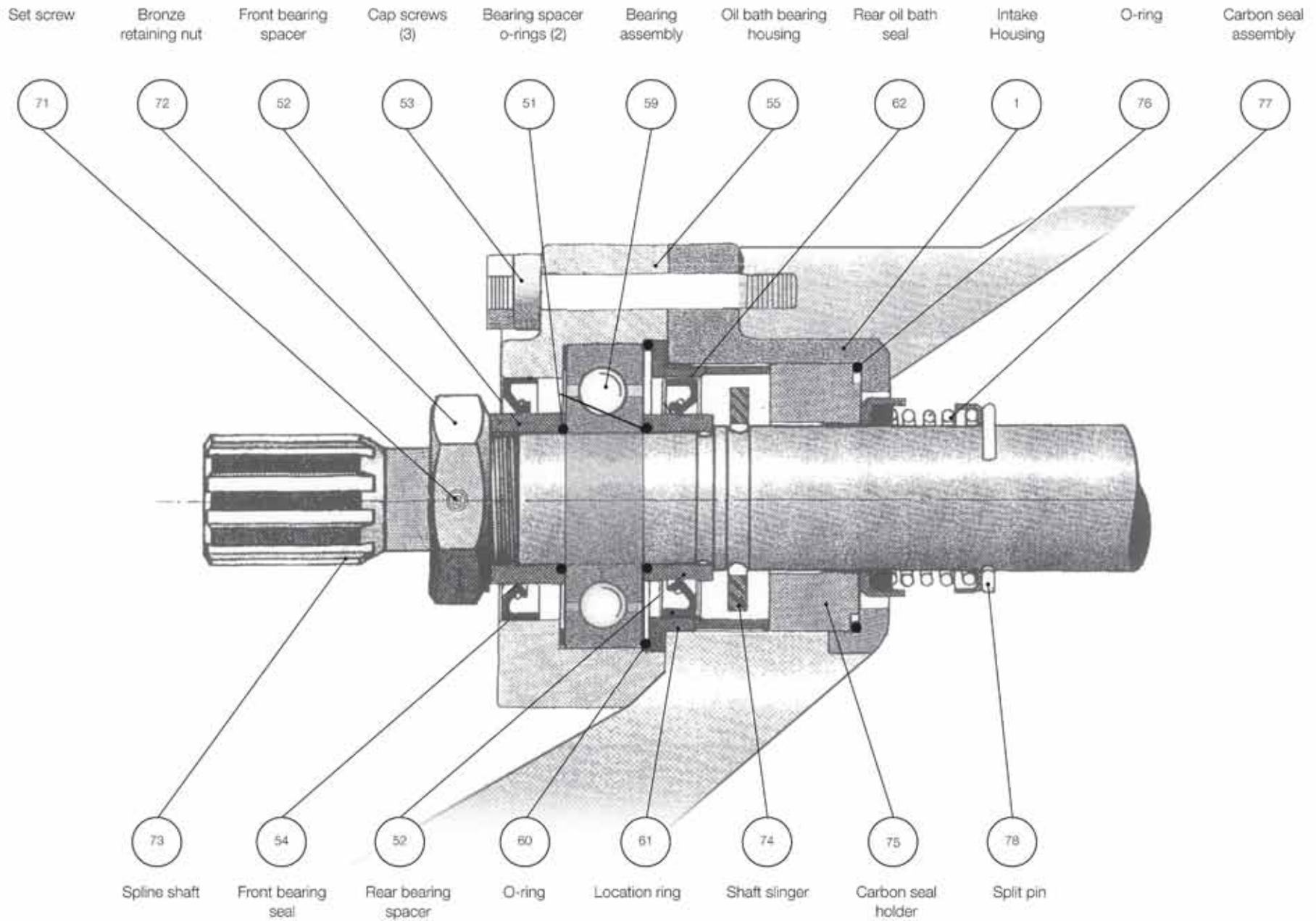


PARTS PRICE LIST

Flo Pro Marine Freshwater Waterjets Oil Bath Bearing Housing Assembly

Item	Description	Part #	Qty	
			2 stage	3stage unit
51	Bearing Spacer O-Rings	1051	2	2 each
52	Bearing Spacer Front & Rear (1 3/8" x 1 3/4 x 3/4")	1052	2	2 each
53	Hex Socket Cap Screw 2 1/4 x 3/8 UNC (316)	1053	3	3 each
54	Front Bearing Seal	1054	1	1
55	Oil Bath Housing (bare)	1055	1	1
55/1	Oil Bath Housing (complete)	1055/1	1	1
56	Oil Bath Housing Dipstick	1056	1	1
57	Bearing Housing Side Hex Plug, 3/4 x 150 BSP (316)	1057	1	1
58	Bearing Housing Oil Drain Hex Plug 1/8 BSP (316)	1058	1	1
59	Bearing QJ 307	1059	1	1
60	Bearing Housing O-Ring	1060	1	1
61	Locating Ring	1061	1	1
62	Rear Oil Seal	1062	1	1
63	Castrol Sport Edge Oil 10W 60	1063	1	1
73	Spline Shaft	1073/2	1	
73	Spline Shaft	1073/3		1
74	Shaft Slinger	1074	1	1
75	Carbon Seal Holder	1075	1	1
76	Intake housing o/ring	1076	1	1
77	Carbon Mechanical Seal Assembly (MS150HG)	1077	1	1
78	Split pin 3/16 x 2" s/s	1078	1	1

Flo/Pro Marine Freshwater Jet Pumps – Spline Shaft and Bearing Housing Assembly



PARTS PRICE LIST

Flo Pro Marine Freshwater Waterjet Models 195/2 & 195/3 Spline Shaft and Bearing Housing Assembly

Item	Description	Part #	Qty
1	Intake	1001	1
51	Bearing Spacer O-Rings	1051	2
52	Bearing Spacer Front & Rear (1 3/8" x 1 3/4 x 3/4")	1052	2
53	Capscrew Hex Socket 2 1/2 x 3/8 (316)	1053	3
54	Front Bearing Seal	1054	1
55	Oil Bath Housing (bare)	1055	1
55/1	Oil Bath Housing (complete)	1055/1	1
59	Bearing QJ 307	1059	1
60	Bearing Housing O-Ring	1060	1
61	Locating Ring	1061	1
62	Rear Oil Seal	1062	1
71	Cap Screw, 1/4 x 20 x 5/16	1071	1
72	Bronze Spline Retaining Nut	1072	1
73	Spline Shaft 2 stage	1073/2	1
73	Spline Shaft 3 stage	1073/3	1
74	Shaft Slinger	1074	1
75	Carbon Seal Holder	1075	1
76	Intake housing o/ring	1076	1
77	Mechanical Seal Assembly (MS150HG)	1077	1
78	Split Pin 3/16 x 2" (316)	1078	1



Item No 18 Mk1 Complete Steering Nozzle Mk1

Part No. 1018Mk1

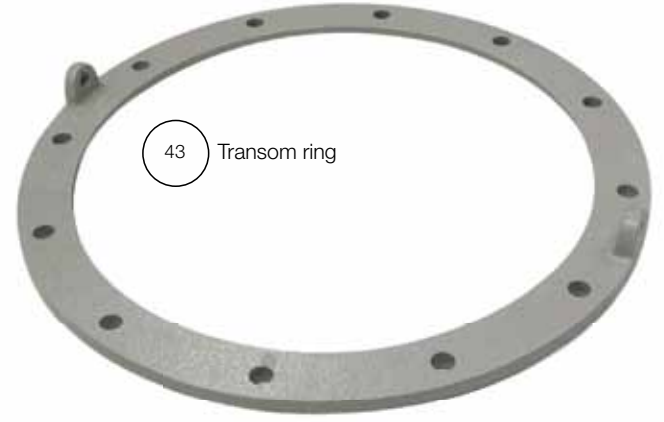


Item No 18 Mk2 Complete Steering Nozzle Mk2

Part No. 1018Mk2

Flo/Pro Marine Freshwater Jet Pumps – Parts List Grill, Transom Ring, Rubber Seal and Spring

Intake grill (41)



(43) Transom ring

- Screw (37)
 - Fibre washer (40)
 - Flat stainless steel washer (39)
 - Nylock nut (38)
- x 4 sets



(45) Transom Spring



(44) Transom ring rubber seal

- Insulation bush (42)
 - Button HD socket screw (46)
 - Nylock nut (49)
 - Fibre washer (48)
 - Flat s/s washer (47)
- x 12 sets

PARTS PRICE LIST

Flo Pro Marine Freshwater Waterjets Grille, Transom Seal Assembly

Item	Description	Part #	Qty		unit
			2 stage	3stage	
37	Hex Set Screw Bolts 3/8 x 2 1/4 UNC (316)	1037	4	4	each
38	Nyloc Nuts 3/8 UNC (316)	1038	4	4	each
39	Flat Washers 3/8 x 3/4 18g (316)	1039	4	4	each
40	Fibre Washers 3/8 x 1/16	1040	4	4	each
41	Intake Grille (13 bar, Bisalloy)	1041	1	1	
42	Insulation Bush	1042	12	12	each
43	Transom Ring	1043	1	1	
44	Transom Ring Rubber Seal	1044	1	1	
45	Transom Seal Spring	1045	1	1	
46	Button Head Socket Screws 5/16 UNC (316)	1046	12	12	each
47	Flat Washer 5/16 x 5/8 x 16g (316)	1047	12	12	each
48	Fibre Washer 5/16 x 5/8 x 1/16	1048	12	12	each
49	Nyloc Nut 5/16 UNC (316)	1049	12	12	each